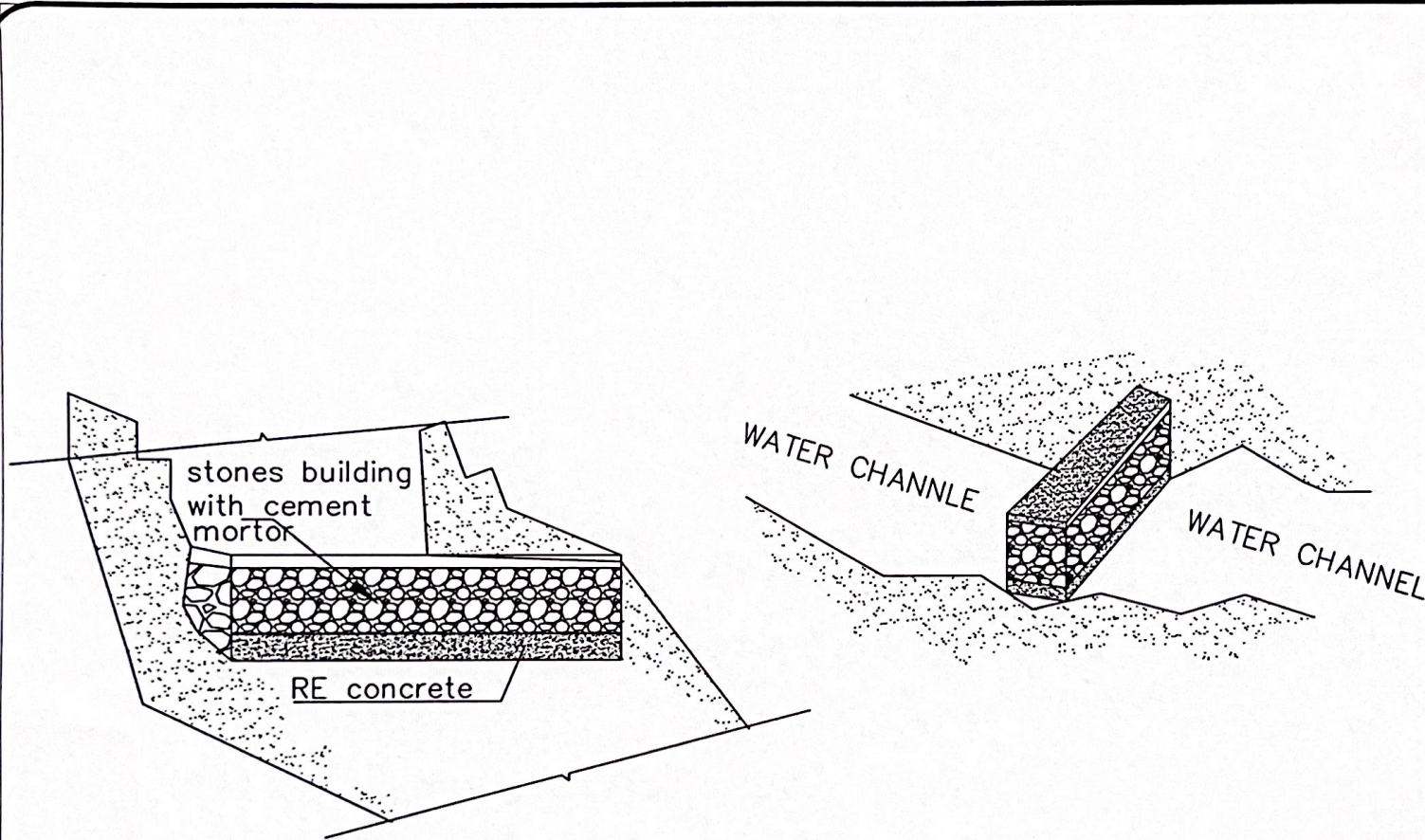


check Dam.dwg

14.10.2003



General Notes

No.	Revision/Notes	Date

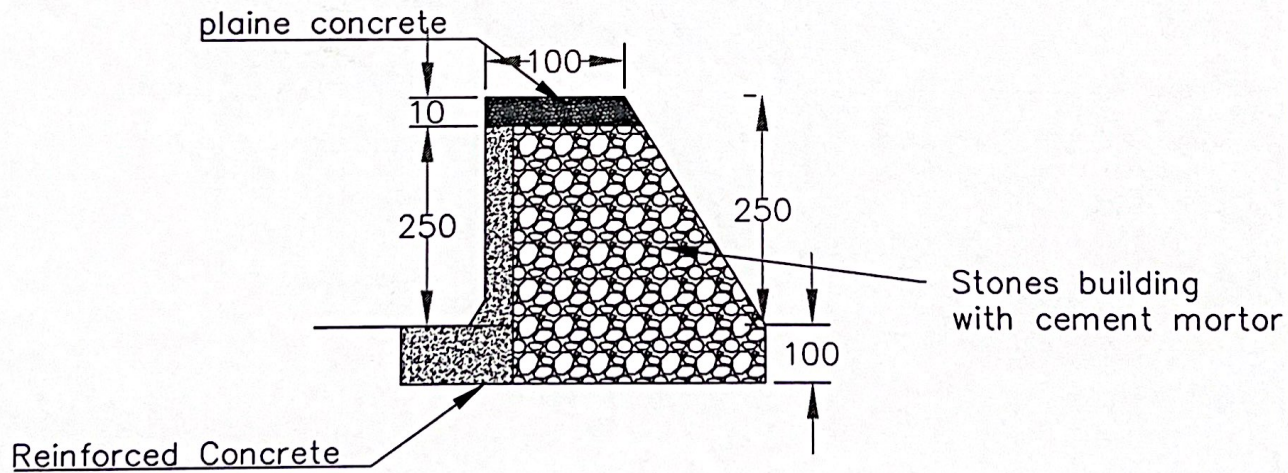
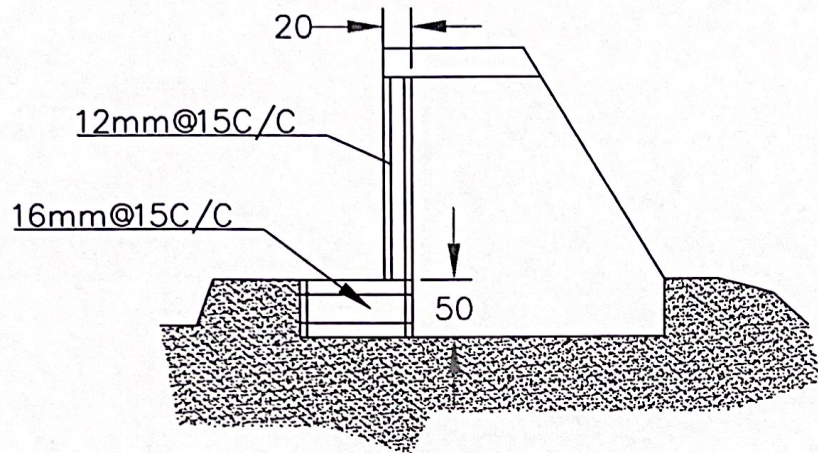
Drawn By and Checked By

Project Name and Address
CRS-Zalingei Office
WFP-FFA Project
Check Dam
BUILDING SECTION

Project	Sheet
WFP-FFA	1-2
2021-2022	
Scale	1:1

check_Dam.dwg

14.10.2003



General Notes

No.	Revisions/Issues	Date

Project Name and Address

CRS-Zalingei Office
WFP-FFA Project
Check Dam
BUILDING SECTION

Project	Sheet
WFP-FFA	2-2
2021-2022	
Scale	1:1

